

1 x

LEGO MINDSTORMS Education

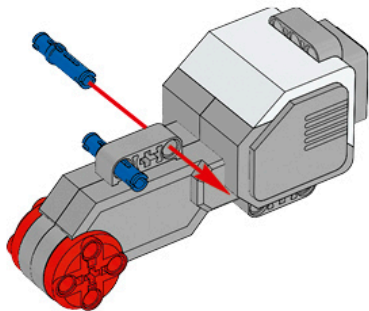
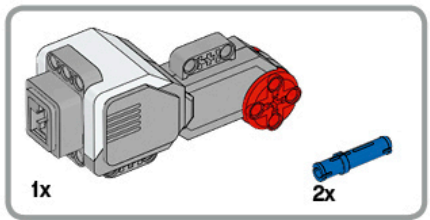
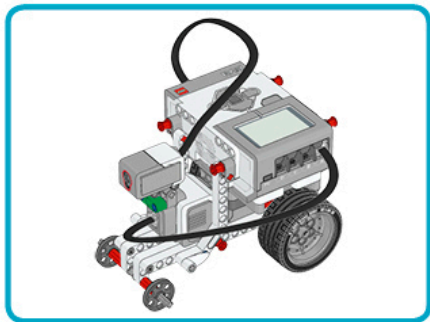


The advertisement features a central image of the LEGO Mindstorms EV3 Core Set, a three-wheeled robot with a large grey motor and a black LCD screen. To the left of the robot is a circular icon with six segments, each containing a different sensor or component symbol. To the right, the text 'Core Set' is prominently displayed in a large, bold font, with translations in German, French, Spanish, and Italian below it. Further down, the word 'ALAPKÉSZLET' is written in a large, bold font. Below the main robot image, there are four smaller images showing different sub-assemblies of the set, such as a gripper, a motor, and a sensor. At the bottom left, there is a Wi-Fi icon and a 'Works for' logo with icons for iPod, iPhone, and iPad. At the bottom right, the LEGO logo is followed by 'education' and 'EV3'.

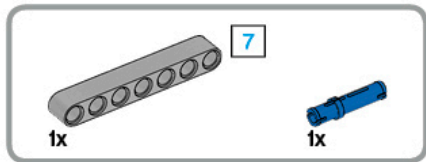
Core Set  
Basis-Set Ensemble de base  
Set principal Conjunto Principal  
ALAPKÉSZLET

45544  
LEGOeducation.com

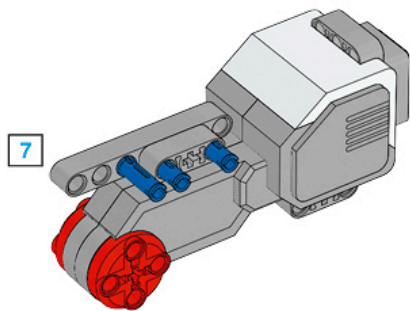
LEGO MINDSTORMS education EV3



1



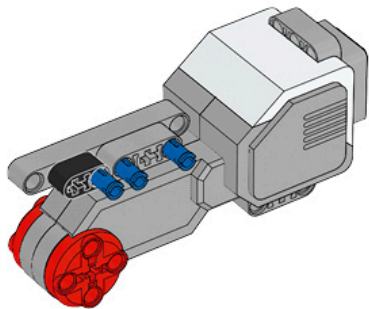
2

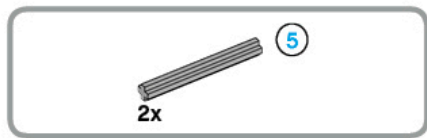




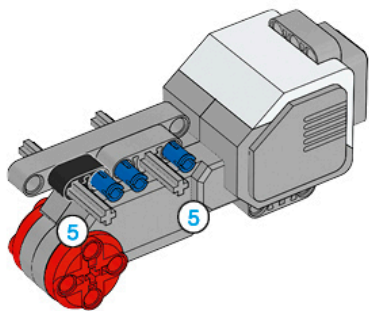
1x

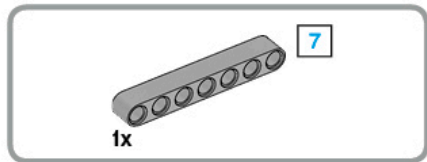
3



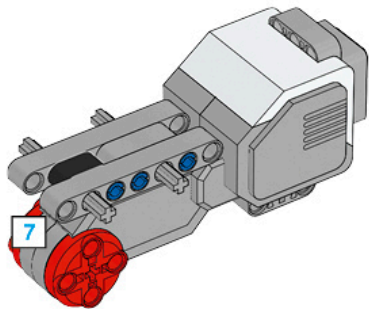


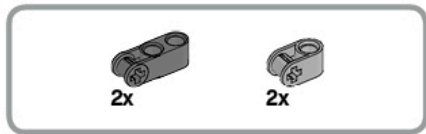
4



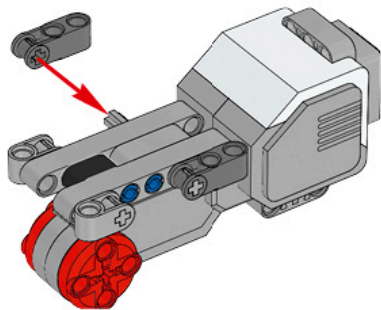


5





6

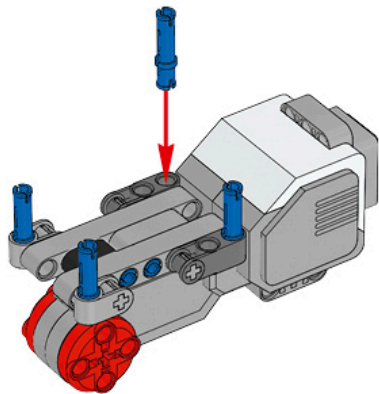


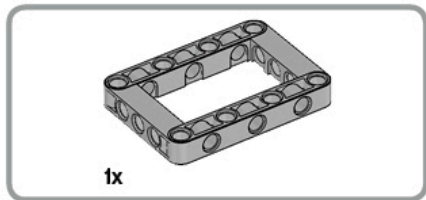




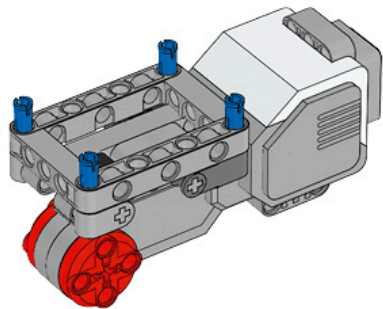
4x

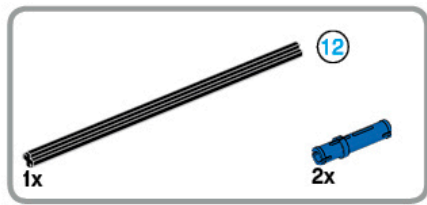
7



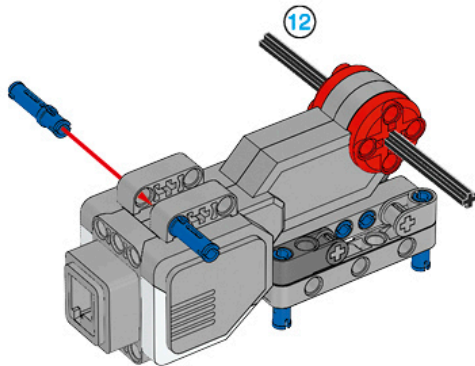


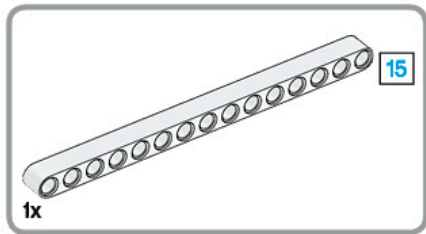
8



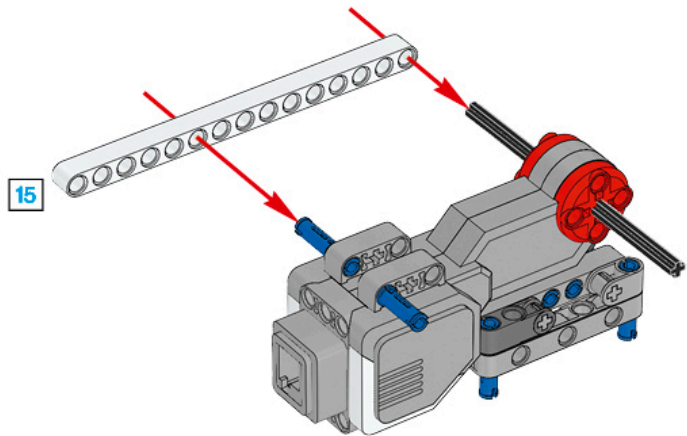


9





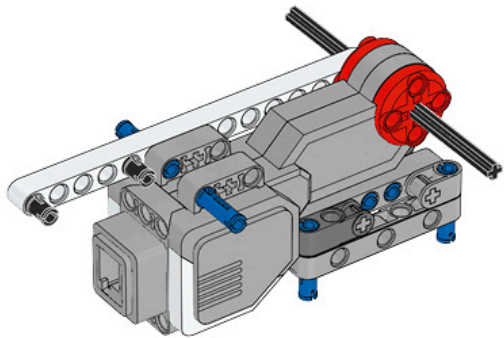
10

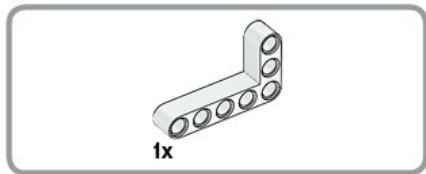




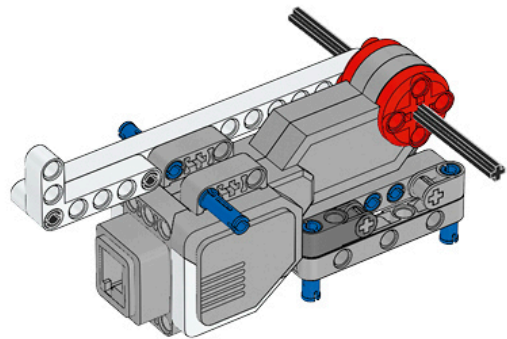
2x

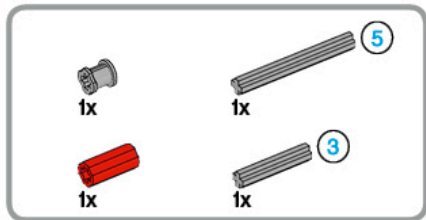
11



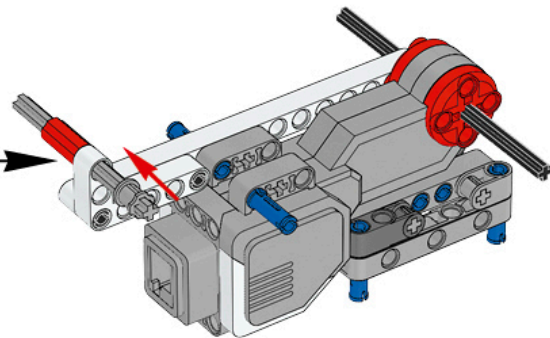
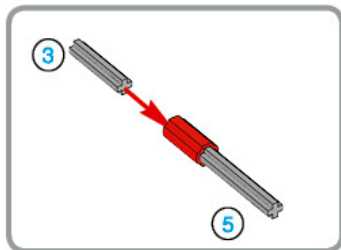


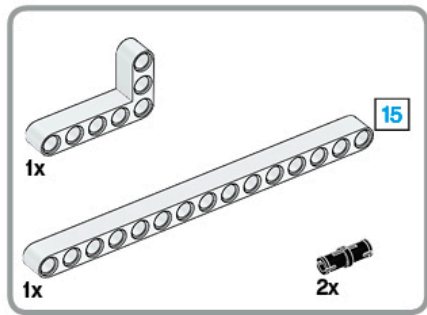
12





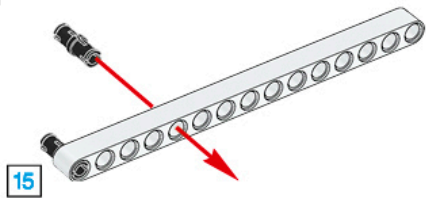
# 13



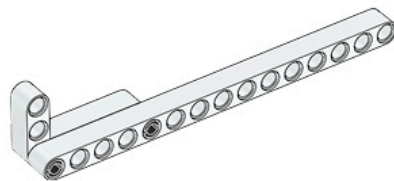


14

1

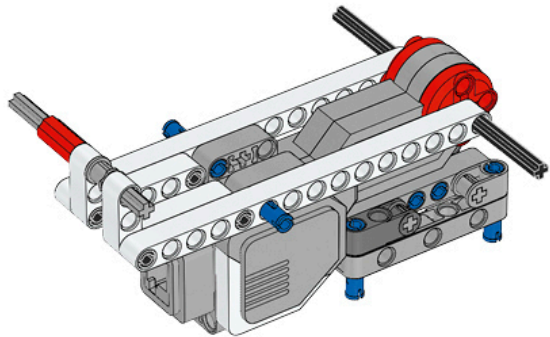


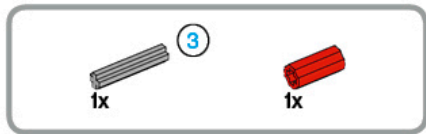
2



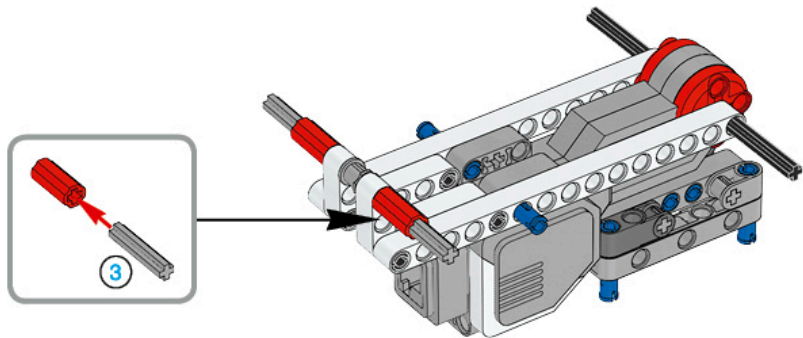


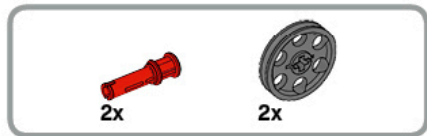
15



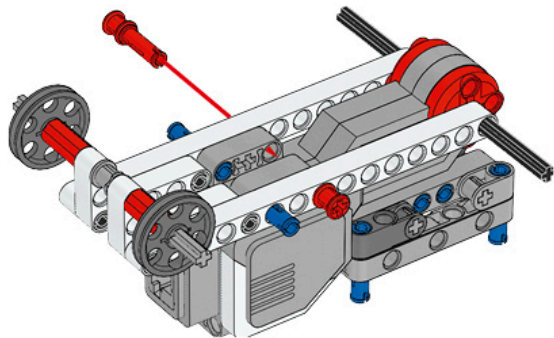


# 16

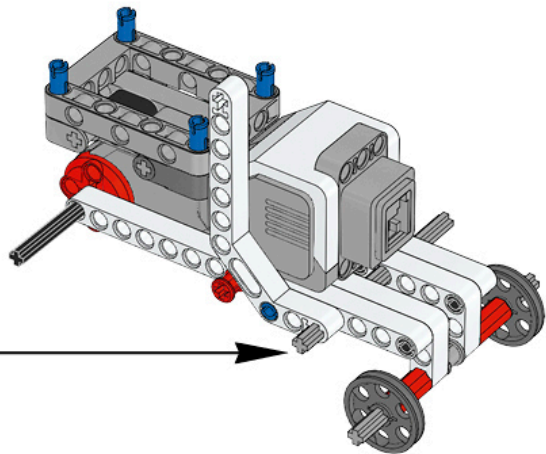
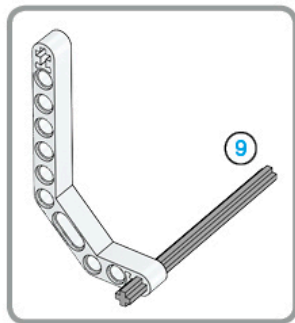
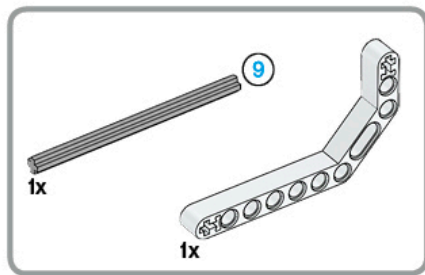


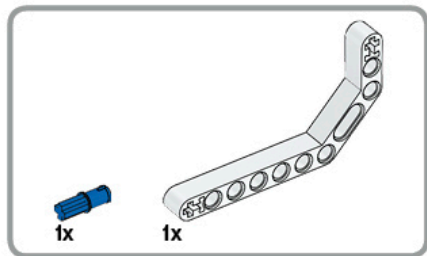


17

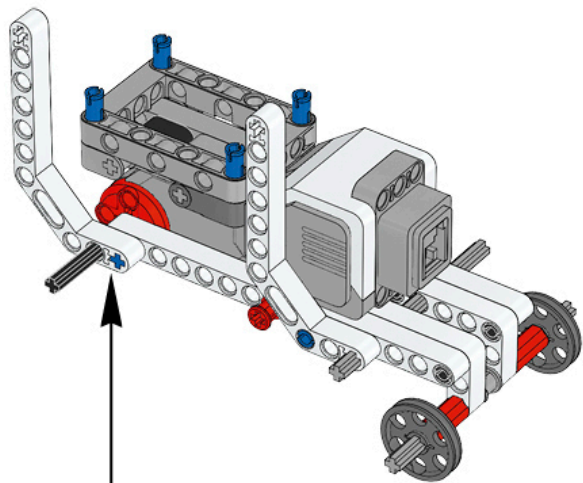
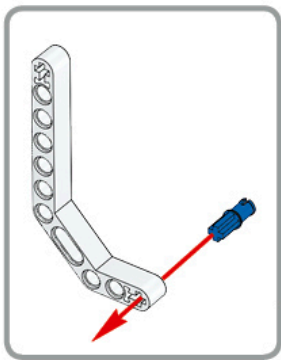


# 18





19



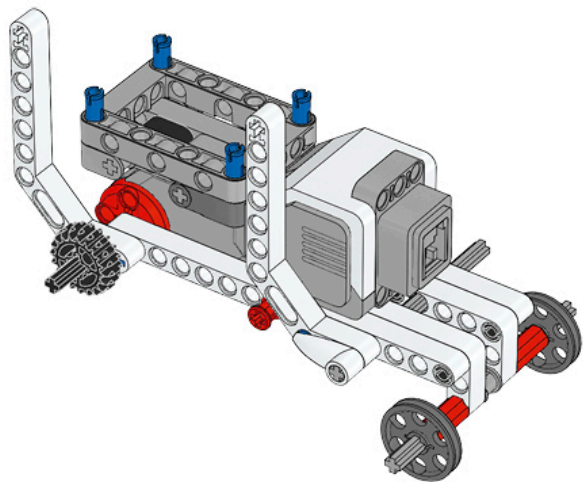


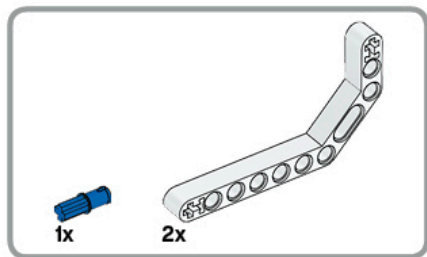
1x



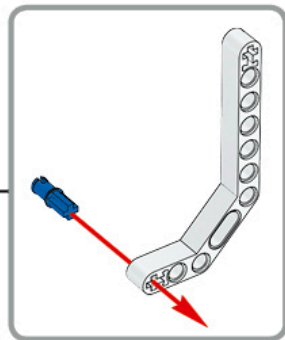
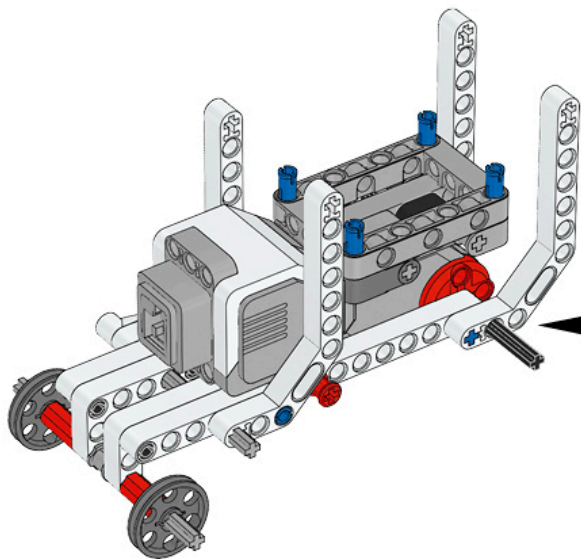
1x

# 20





21



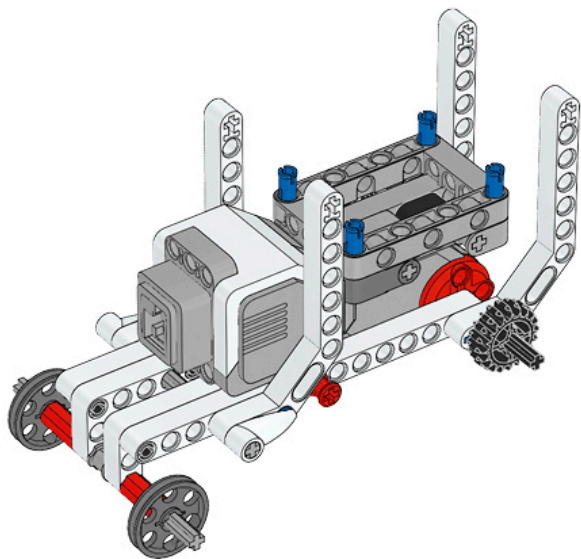


1x



1x

# 22

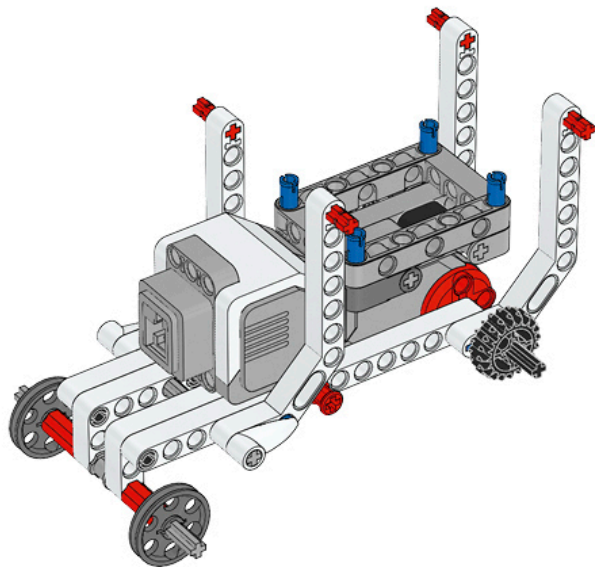






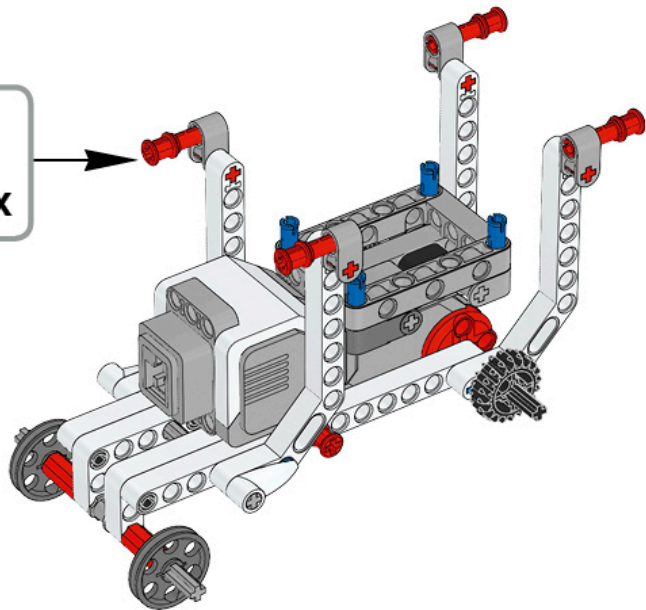
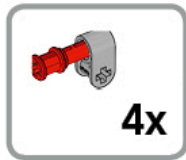
4x

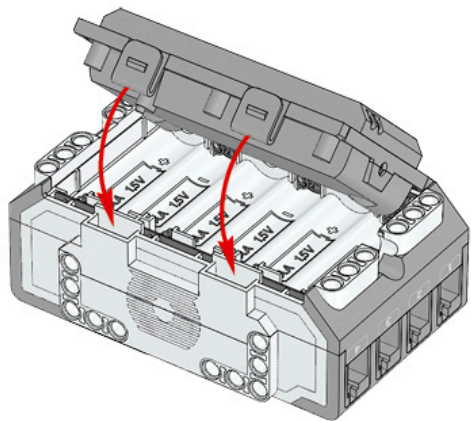
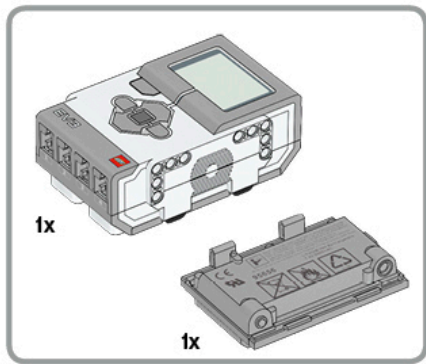
23





24



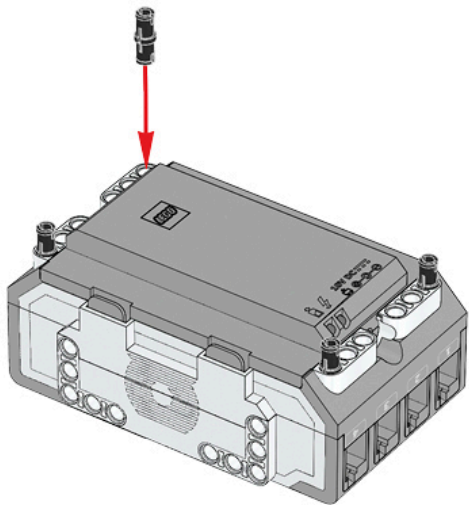


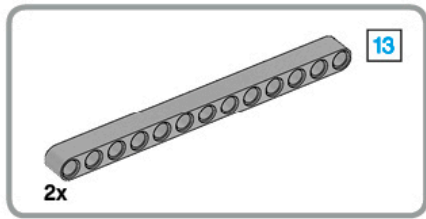
25



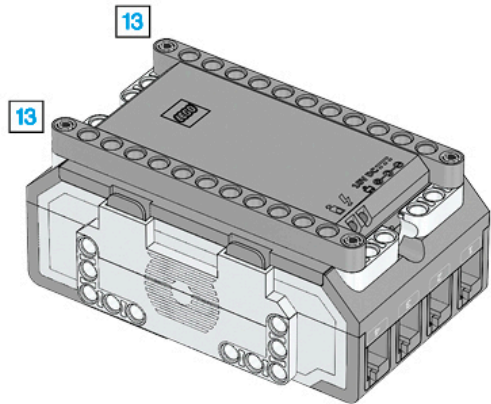
4x

26

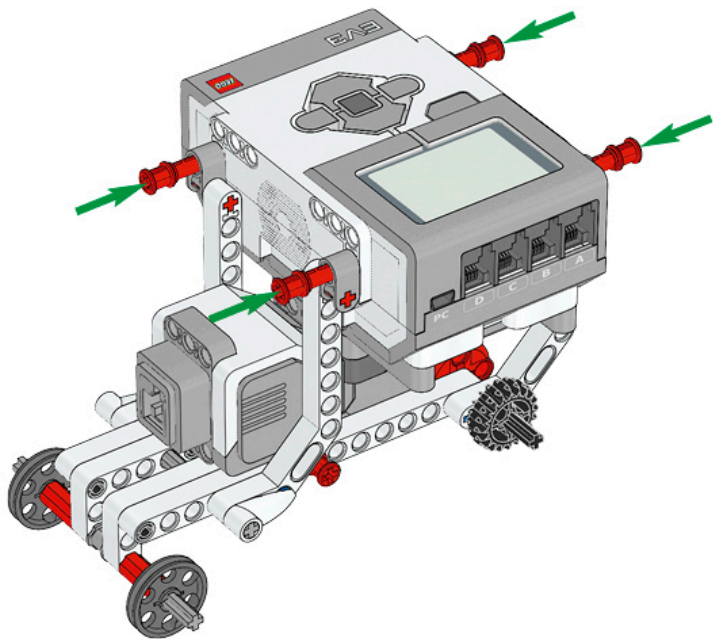


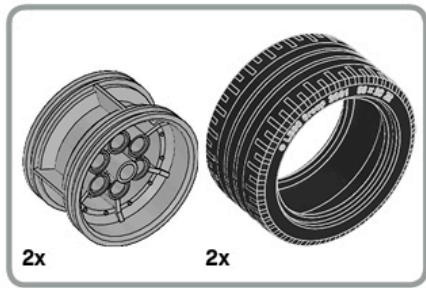


27

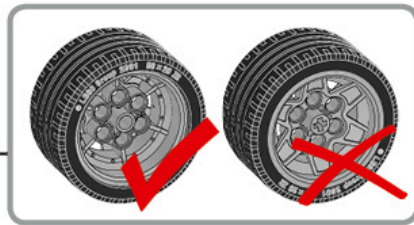
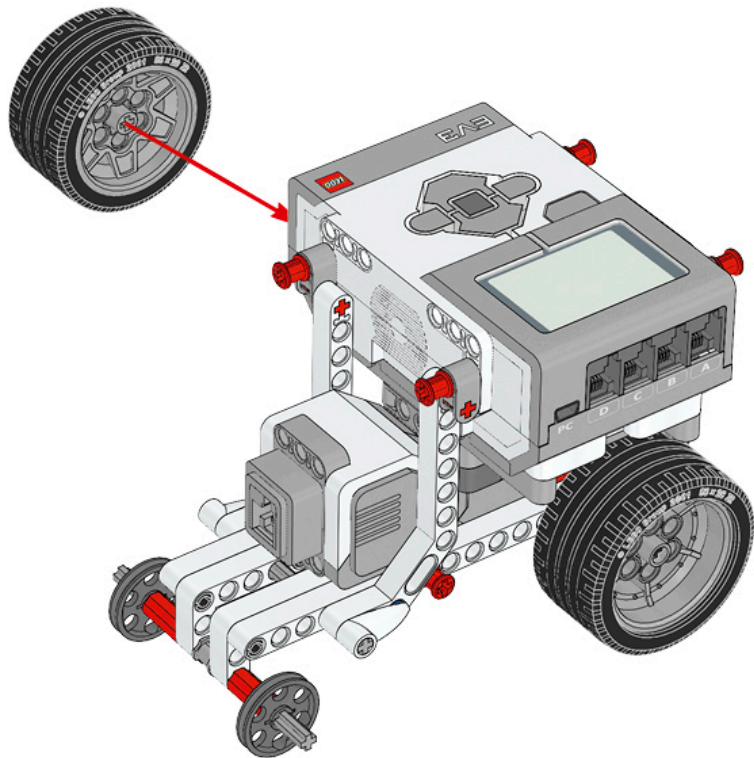


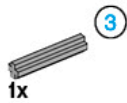
# 28



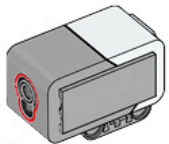


29



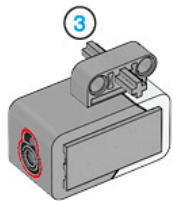


1x



1x

# 30

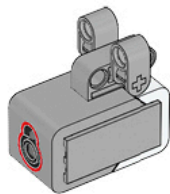






2x

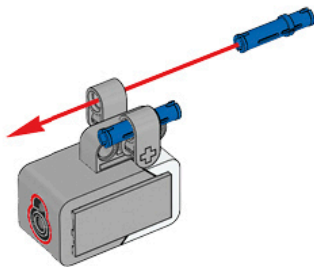
31





2x

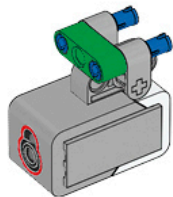
32



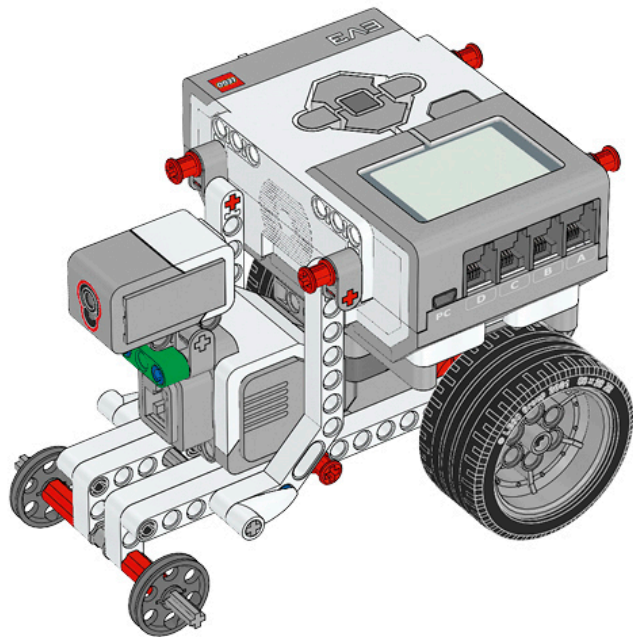


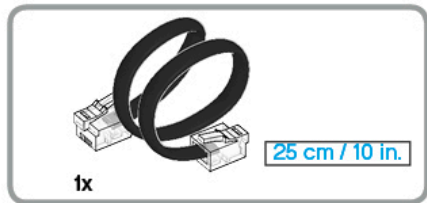
1x

33

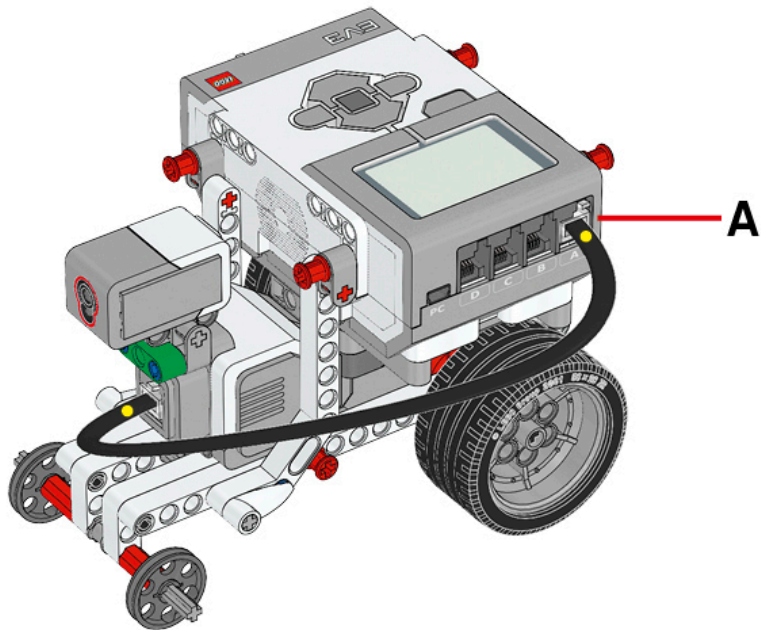


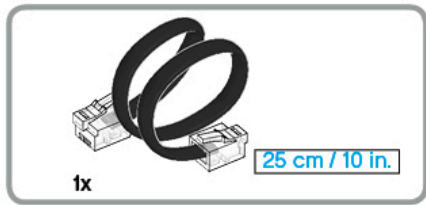
34



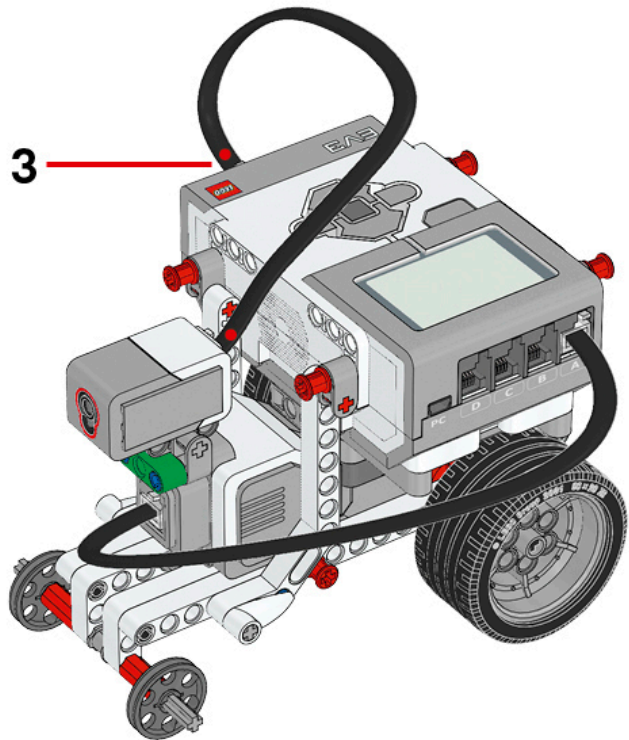


35





36



# 37

